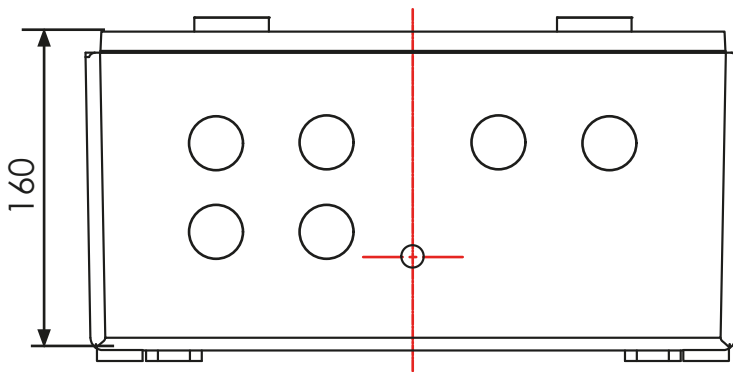
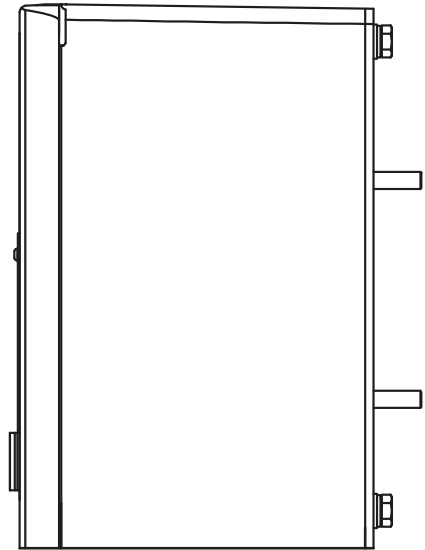
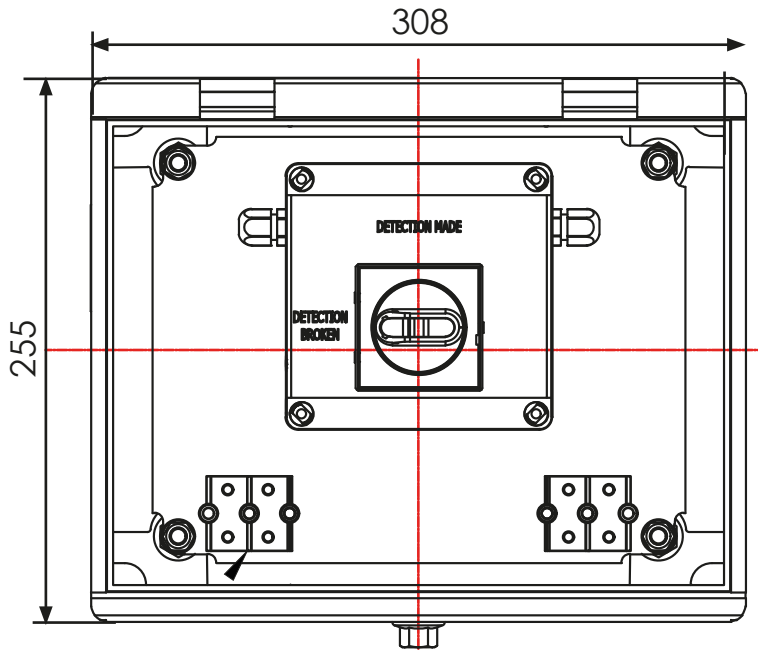
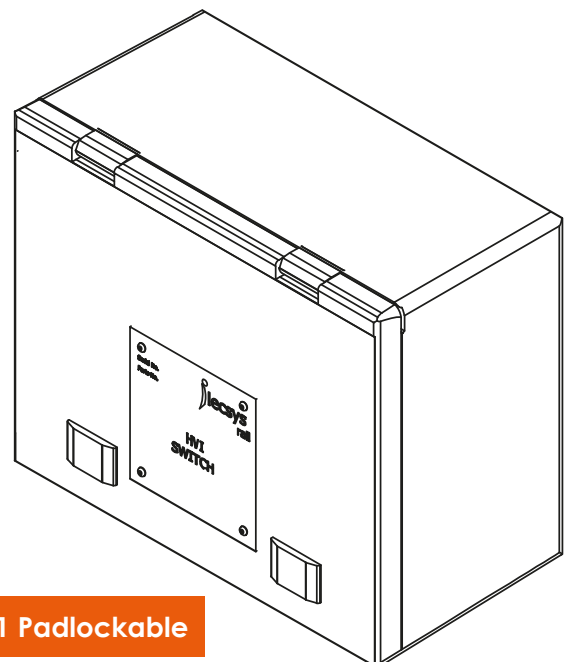


FREE WIRED GRP DIS BOXES

Part No:	ILS100646	Dimensions (mm):	255(H) x 308(W) x 160(D)
Enclosure PADS No:	086/010802	Weight:	APPROX 4KG
Description:	4 Way Disconnection Box	IP/IK Rating:	IP66 / IK10
Application/s:	HVI Track Circuit Isolation	Material:	GRP



The HVI track circuit DIS box offer the facility to make a local disconnection of the Track Circuit during maintenance works



Compression Glands Available



221 Padlockable