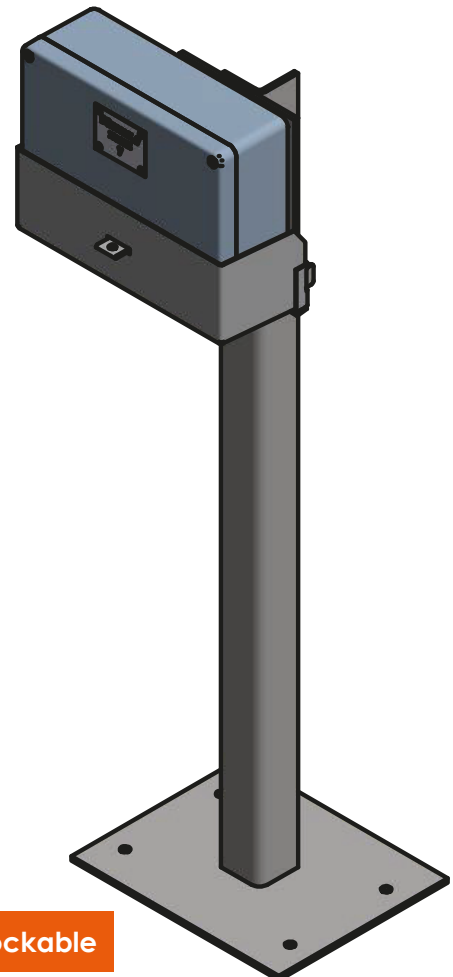
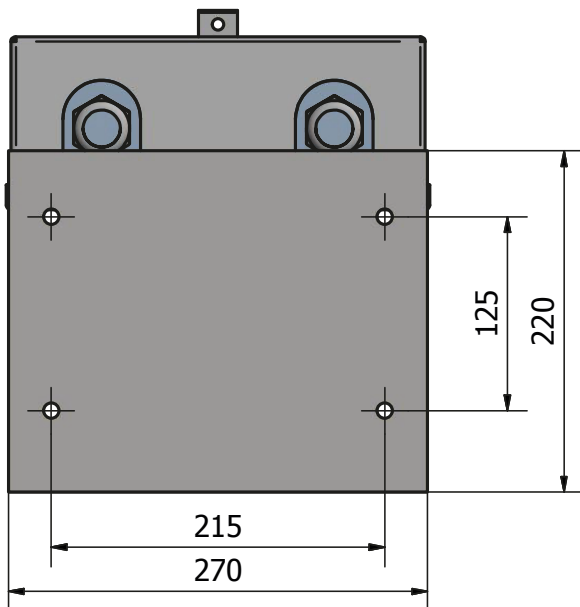
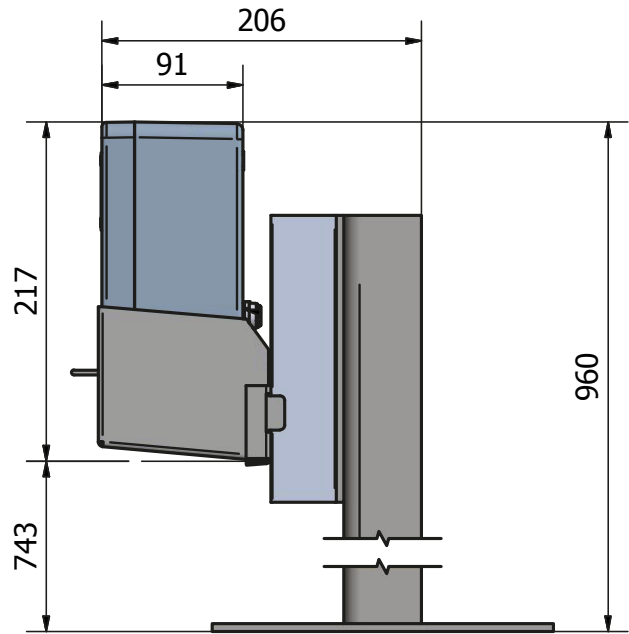
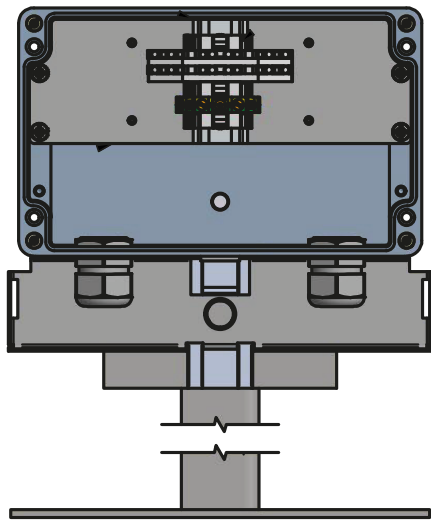
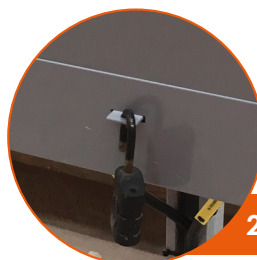


FREE WIRED GRP DIS BOXES

Part No:	ILS100412	Dimensions (mm):	160(H) x 260(W) x 90(D)
Certificate Ref:	PA05/06461	Weight:	APPROX 3KG
Description:	2 Way Disconnection Box	IP/IK Rating:	IP66 / IK10
Application/s:	Western ETCS Balise Disconnection Box	Material:	GRP



Compression Glands Available



221 Padlockable