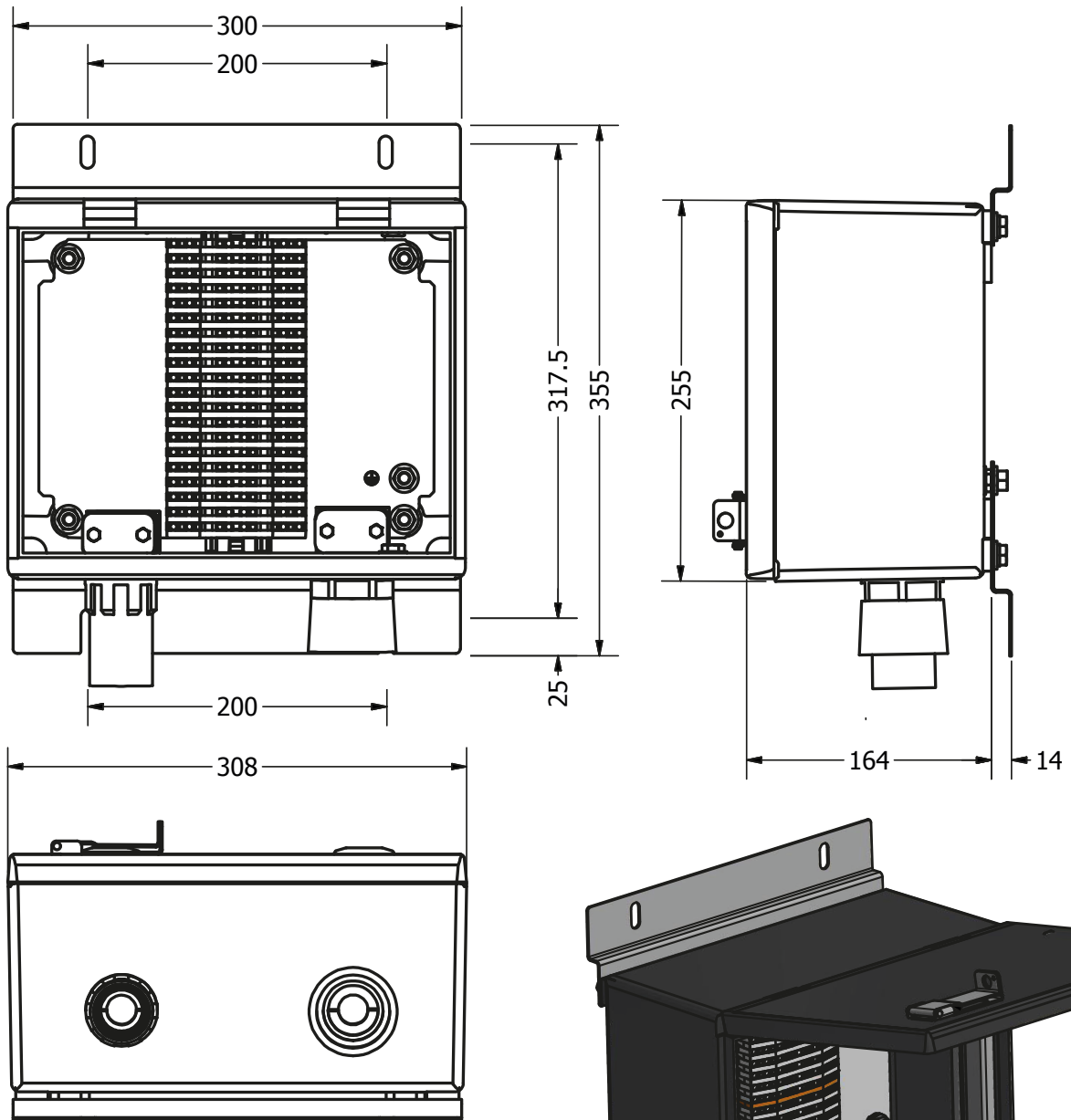


FREE WIRED GRP DIS BOXES

| | | | |
|-----------------------|--|-------------------------|--------------------------|
| Part No: | ILS100142 | Dimensions (mm): | 255(H) x 308(W) x 160(D) |
| PADS Number: | 086/010790 | Weight: | APPROX 3.5KG |
| Description: | 20 Way Signal Gantry Disconnection Box | IP/IK Rating: | IP66 / IK10 |
| Application/s: | Signalling | Material: | GRP |



Approved



Compression
Glands Available



221 Padlockable