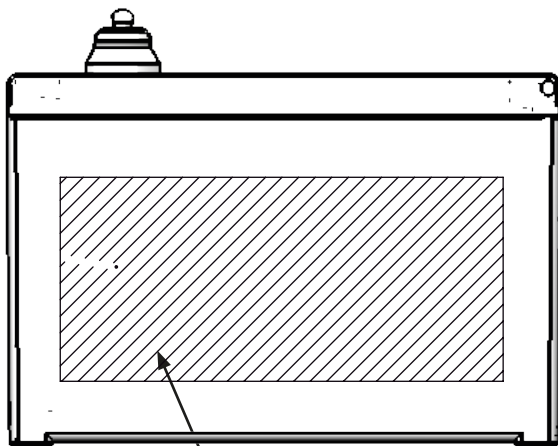
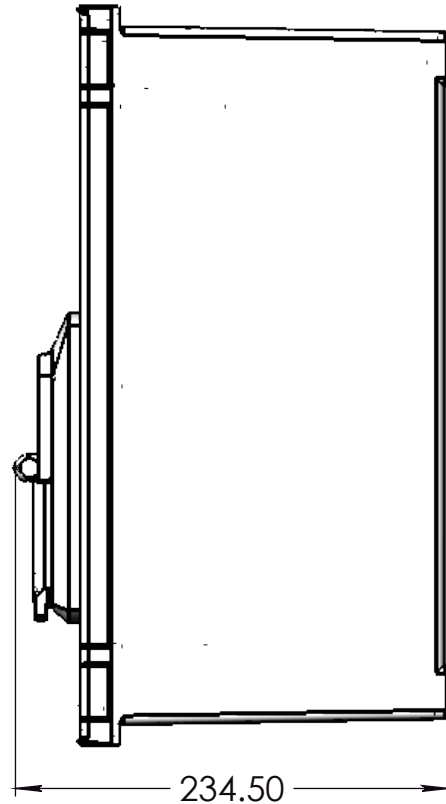
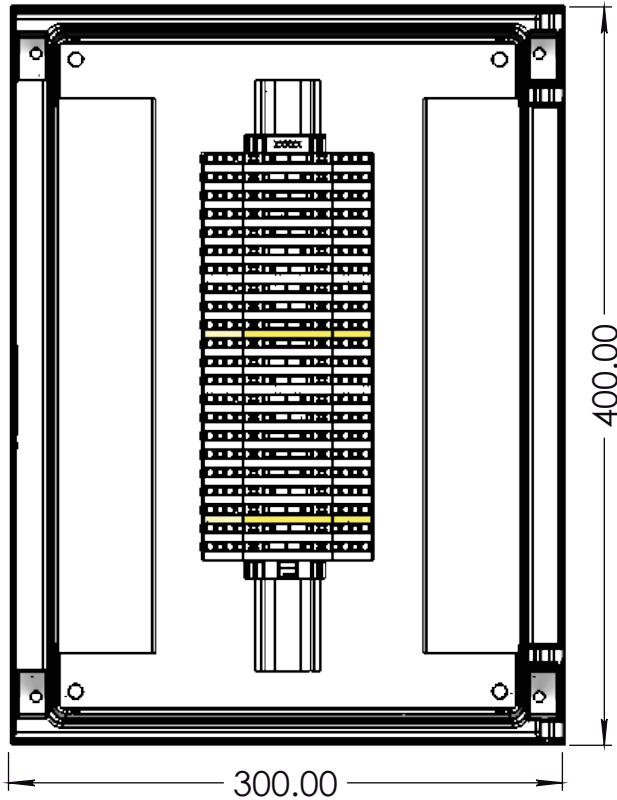


# FREE WIRED GRP DIS BOXES

<b>Part No:</b>	ILS100096-044	<b>Dimensions (mm):</b>	400(H) x 300(W) x 234.5(D)
<b>Enclosure PADS No:</b>	0086/000135	<b>Weight:</b>	APPROX 6.2KG
<b>Description:</b>	22 Way Disconnection box	<b>IP/IK Rating:</b>	IP66 / IK10
<b>Application/s:</b>	Larger Signals / Small Point Machines	<b>Material:</b>	GRP



Available Gland Area

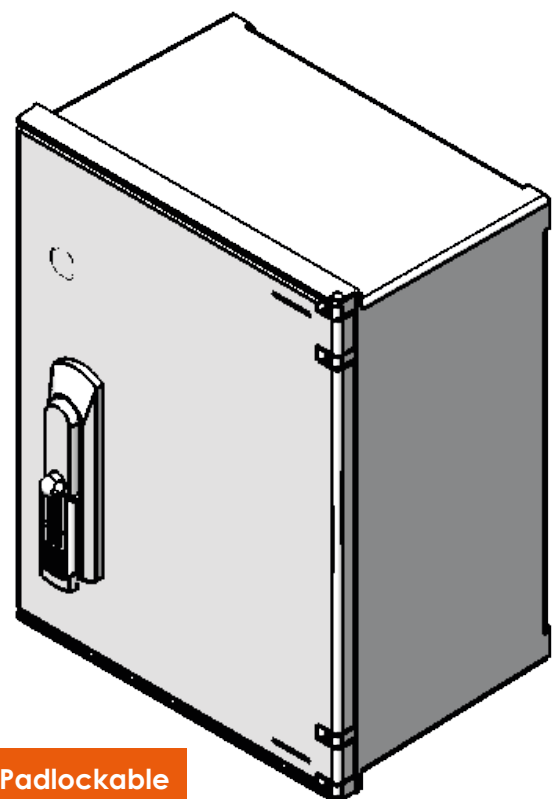
Approved



Compression  
Glands Available



221 Padlockable



FULL RANGE OF MOUNTING OPTIONS AVAILABLE - SEE PAGES 144-153