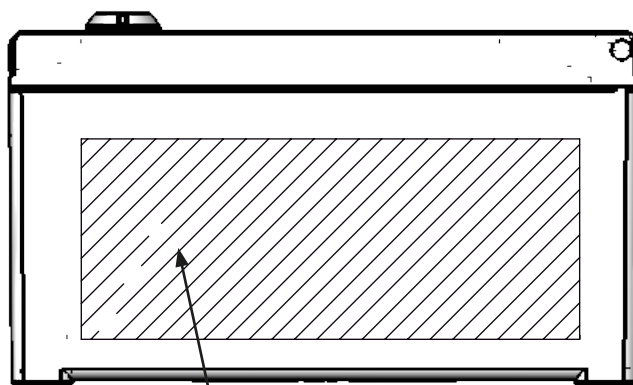
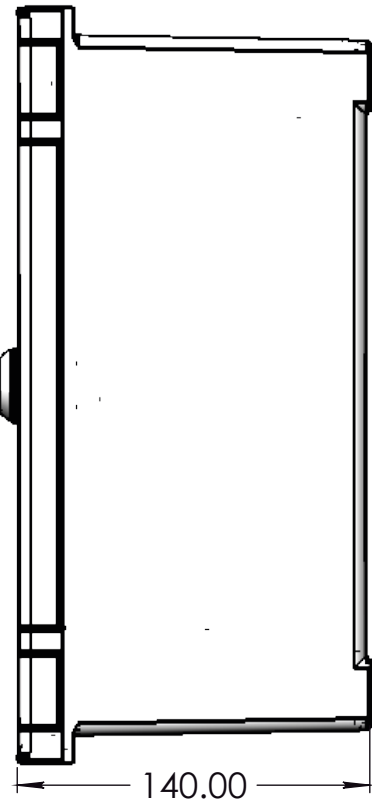
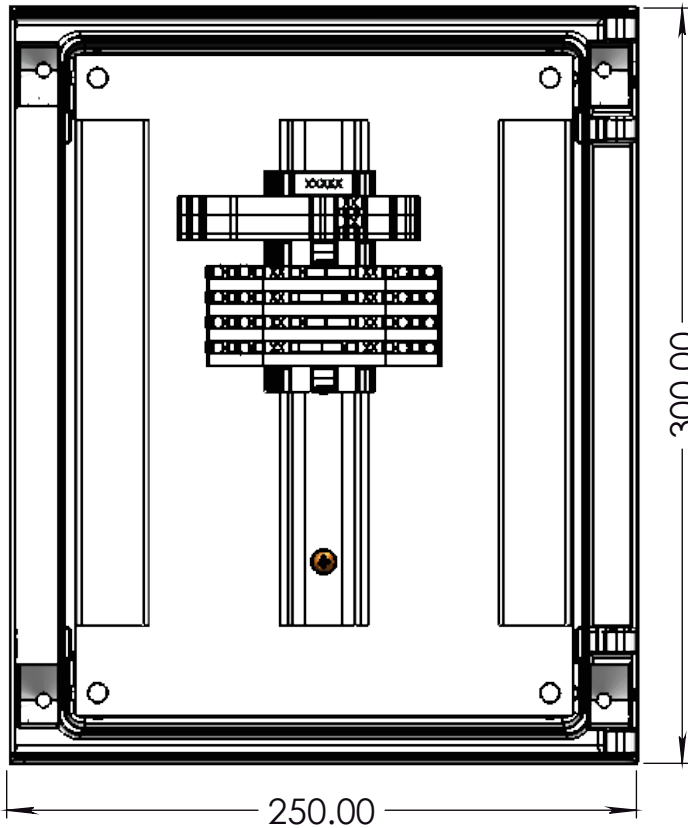
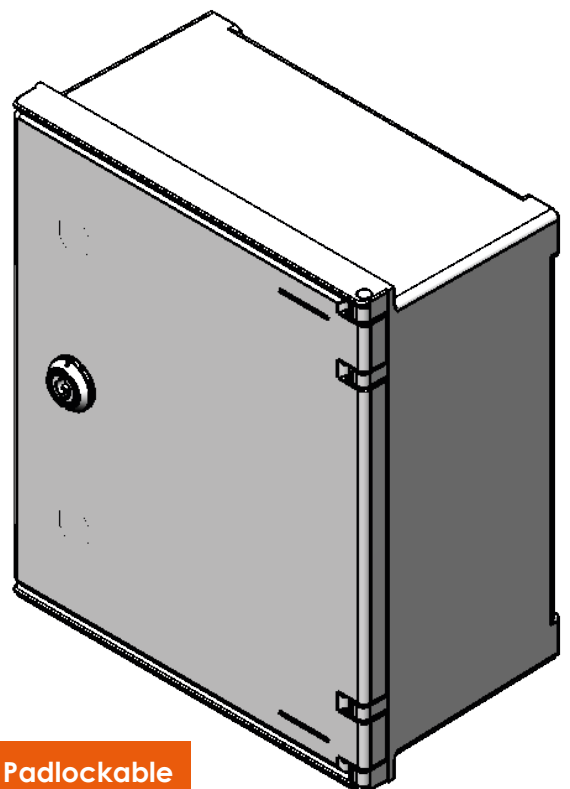


FREE WIRED GRP DIS BOXES

Part No:	ILS100096-042	Dimensions (mm):	300(H) x 250(W) x 140(D)
Enclosure PADS No:	0086/000134	Weight:	APPROX 3.1KG
Description:	6 Way Disconnection Box	IP/IK Rating:	IP66 / IK10
Application/s:	AWS / TPWS	Material:	GRP



Available Gland Area



Compression Glands Available



221 Padlockable