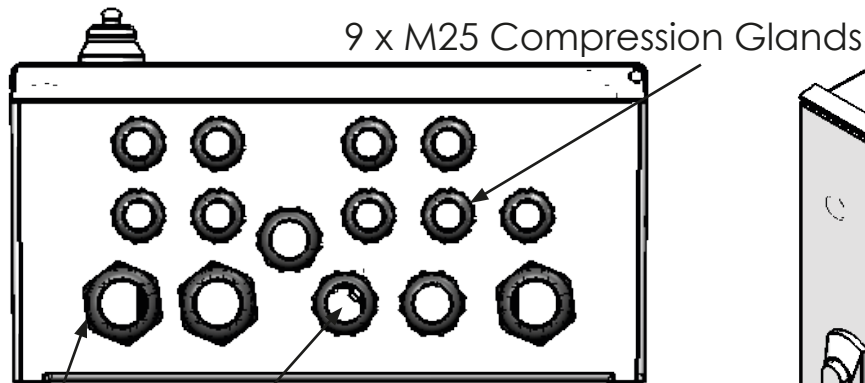
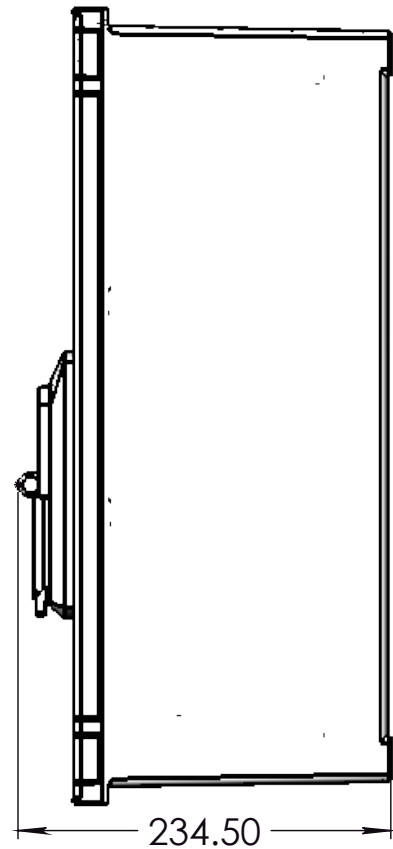
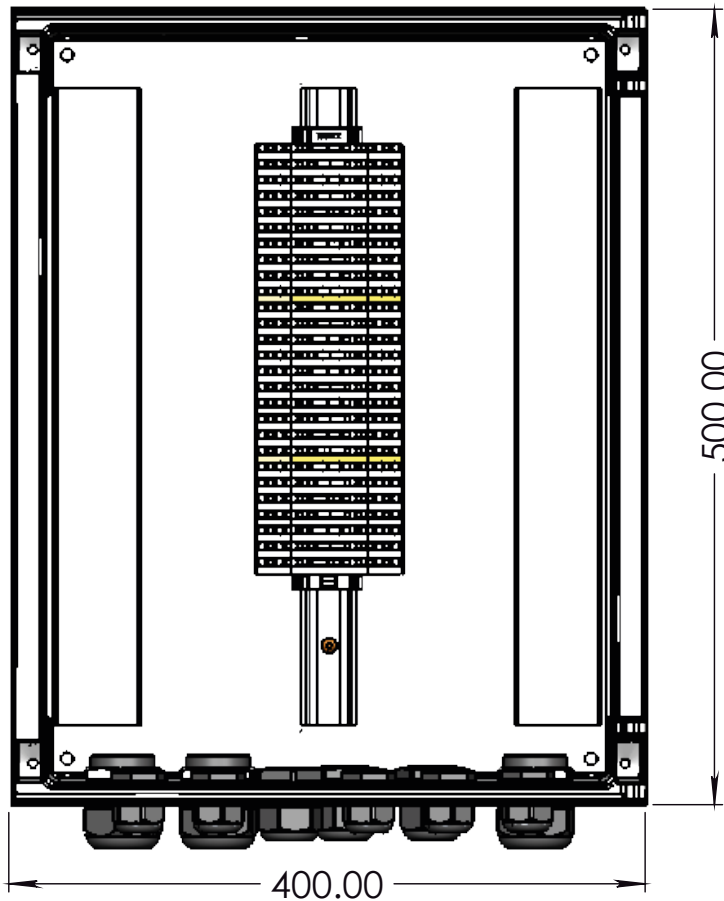
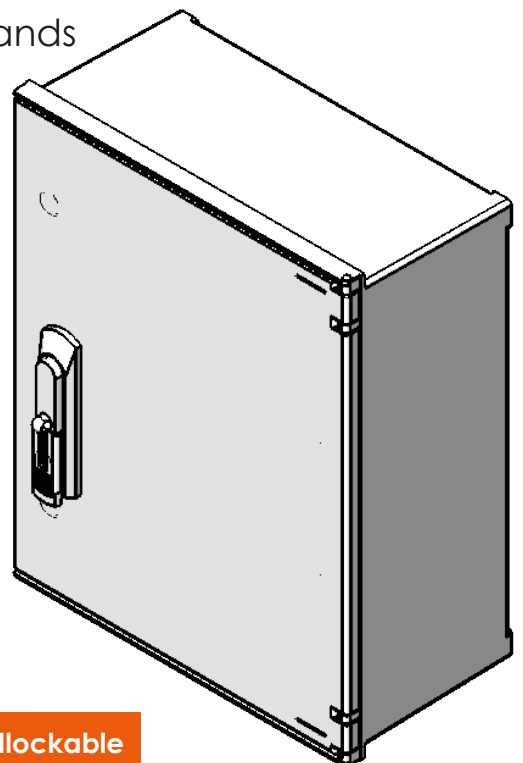


FREE WIRED GRP DIS BOXES

Part No:	ILS100096-037	Dimensions (mm):	500(H) x 400(W) x 234.5(D)
Enclosure PADS No:	0086/000137	Weight:	APPROX 10KG
Description:	27 Way Disconnection Box	IP/IK Rating:	IP66 / IK10
Application/s:	Signals and TSS	Material:	GRP



3 x M40 Compression Glands



Compression Glands Available



221 Padlockable