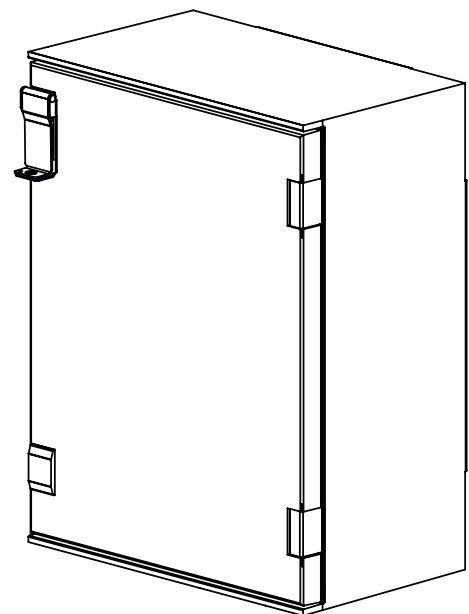
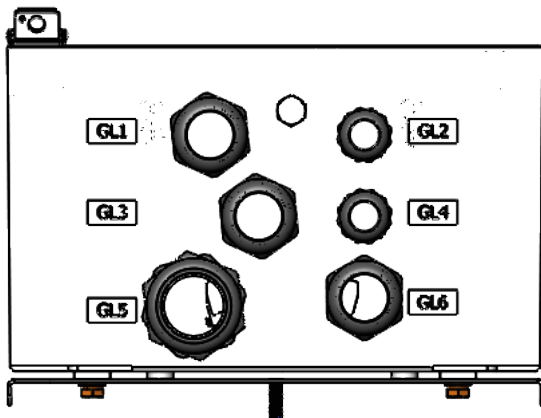
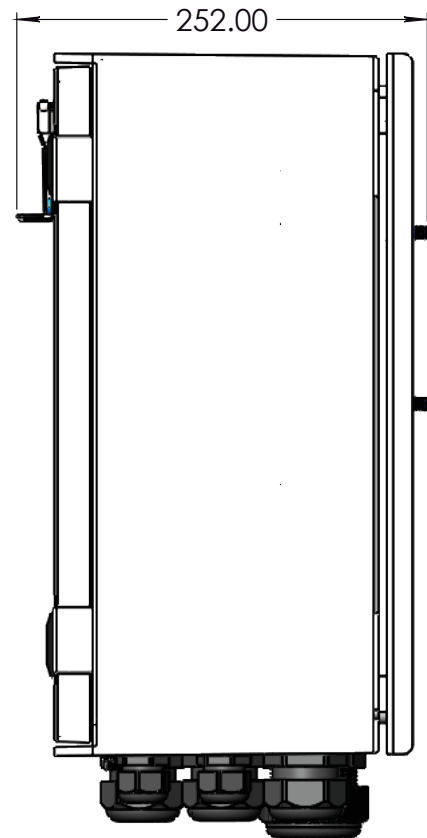
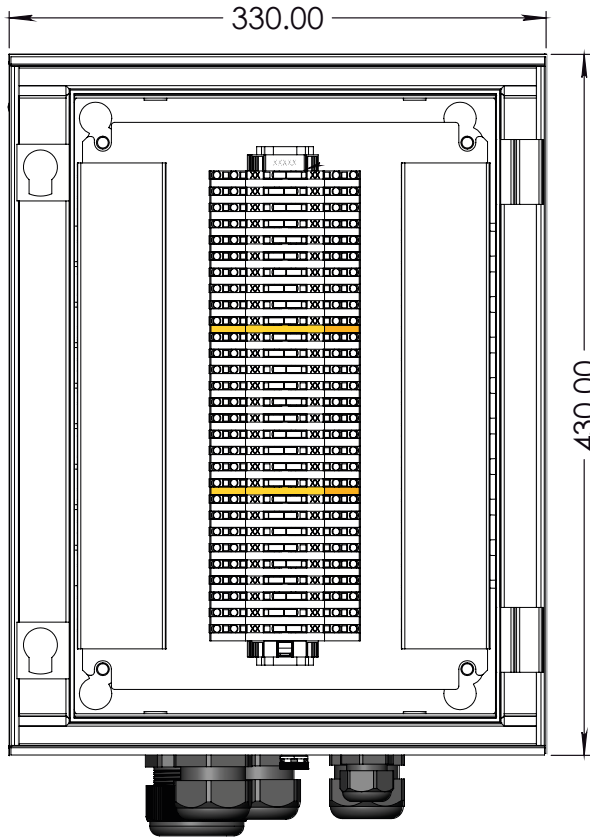


# FREE WIRED GRP DIS BOXES

<b>Part No:</b>	ILS100096-027	<b>Dimensions (mm)::</b>	430(H) x 330(W) x 200(D)
<b>Enclosure PADS NO:</b>	086/010800	<b>Weight:</b>	APPROX 7KG
<b>Description:</b>	29 Way Disconnection Box	<b>IP/IK Rating:</b>	IP66 / IK10
<b>Application/s:</b>	Multi Application	<b>Material:</b>	GRP



Approved



Compression  
Glands Available



221 Padlockable

FULL RANGE OF MOUNTING OPTIONS AVAILABLE - SEE PAGES 144-153