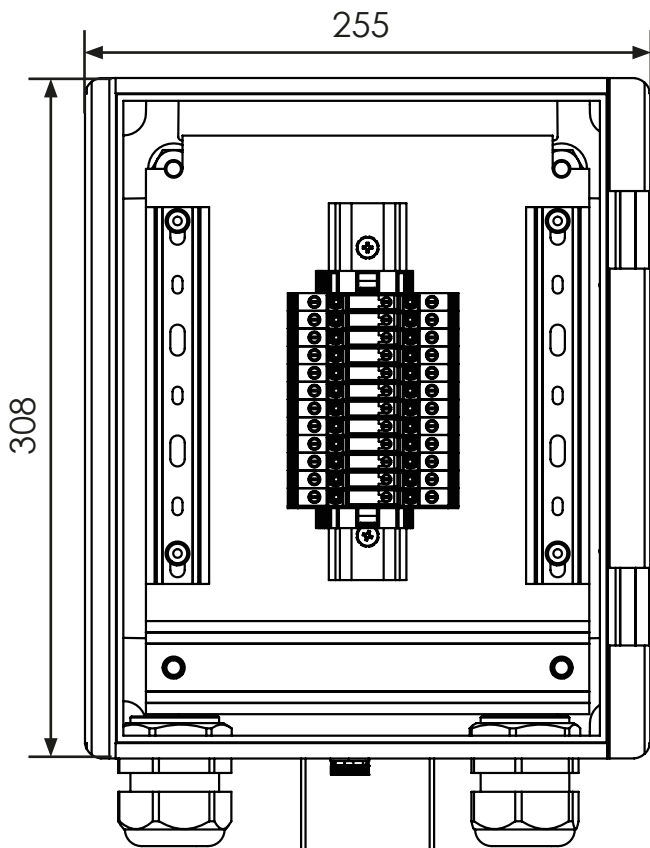
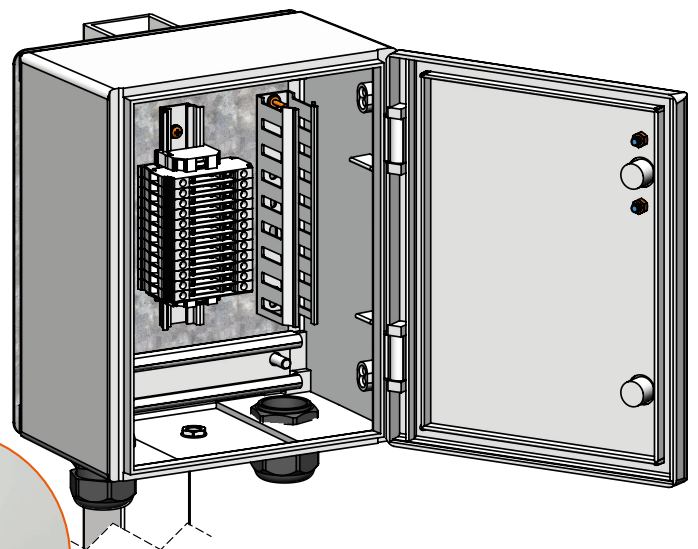
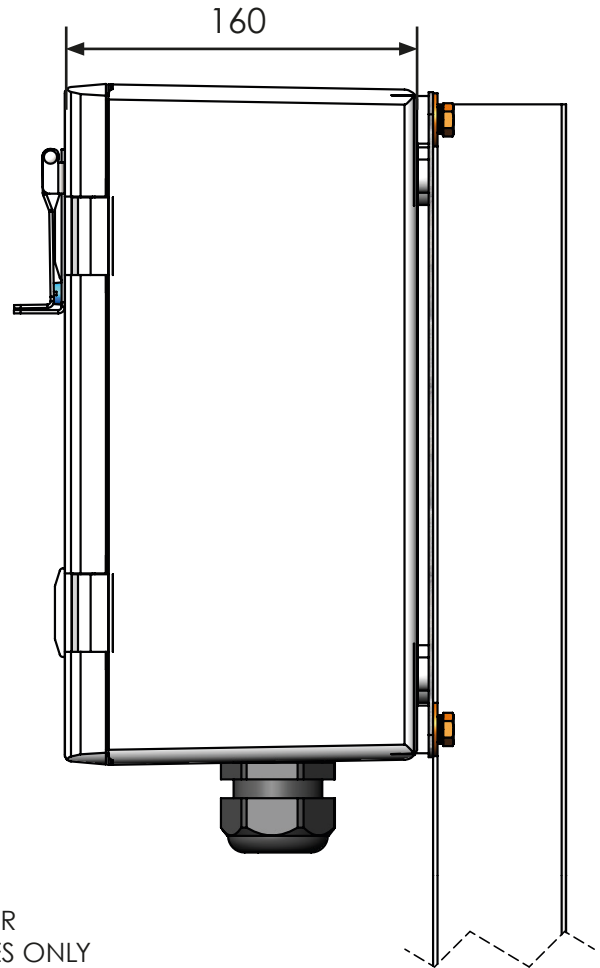


FREE WIRED GRP DIS BOXES

Part No:	ILS100096-020	Dimensions (mm):	308(H) x 255(W) x 160(D)
Enclosure PADS No:	086/010802	Weight:	APPROX 3.5KG
Description:	12 Way Disconnection Box	IP/IK Rating:	IP66 / IK10
Application/s:	Entrelec Slide Links for Signalling	Material:	GRP



POST SHOWN FOR ILLUSTRATION PURPOSES ONLY



Compression Glands Available



221 Padlockable