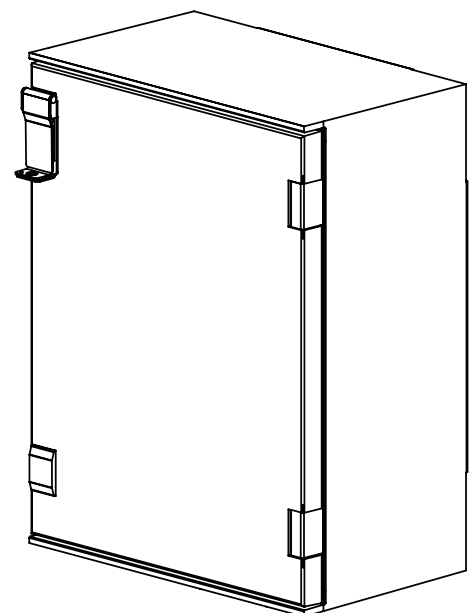
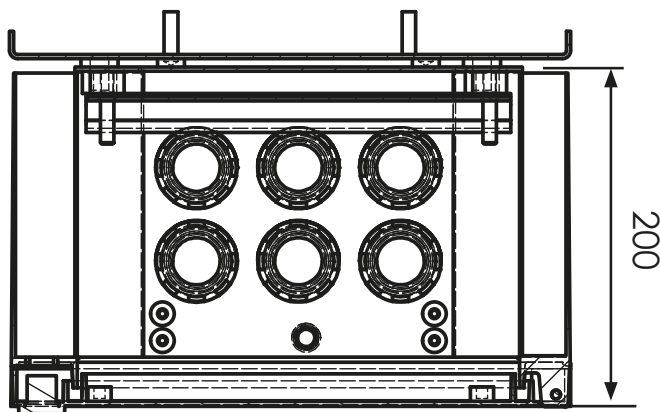
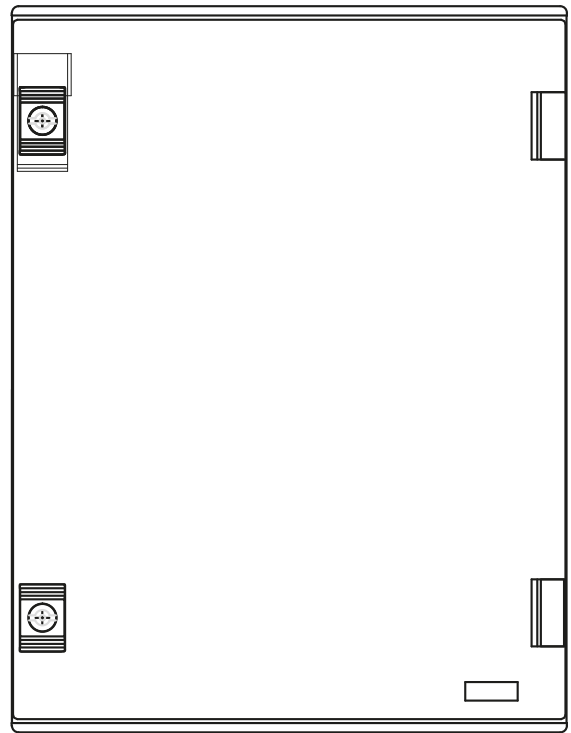
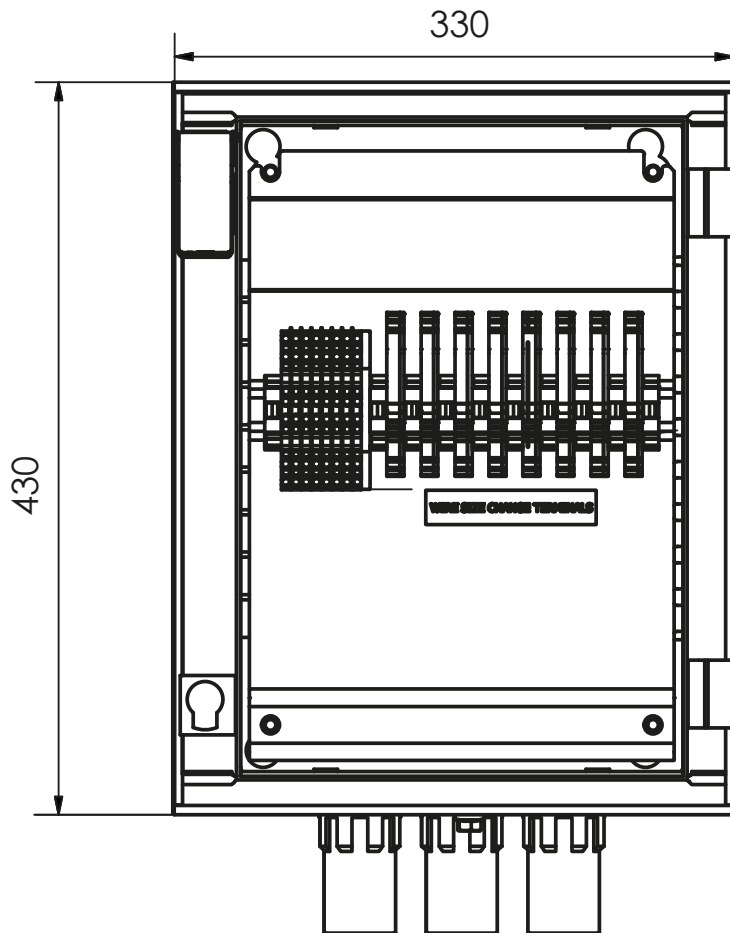


FREE WIRED GRP DIS BOXES

Part No:	ILS100096-005	Dimensions (mm):	430(H) x 330(W) x 200(D)
Enclosure PADS No:	086/010800	Weight:	APPROX 7KG
Description:	8 Way Disconnection Box	IP/IK Rating:	IP66 / IK10
Application/s:	SASR AWS Disconnection Box	Material:	GRP



Approved



Compression Glands Available



221 Padlockable

FULL RANGE OF MOUNTING OPTIONS AVAILABLE - SEE PAGES 144-153