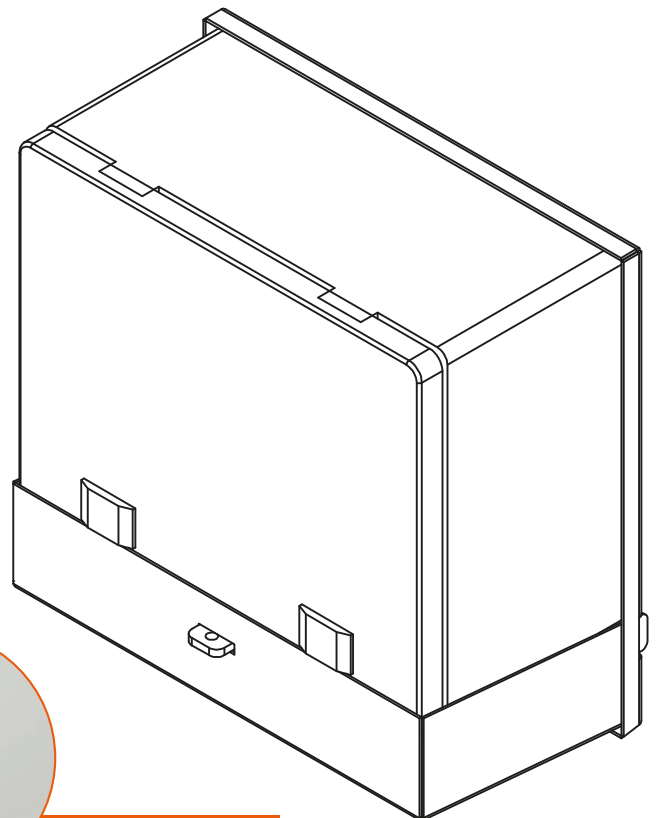
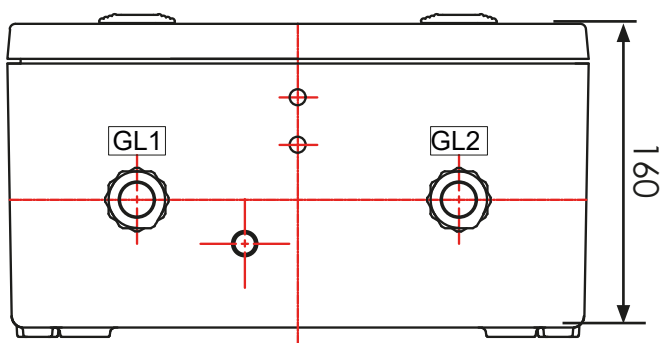
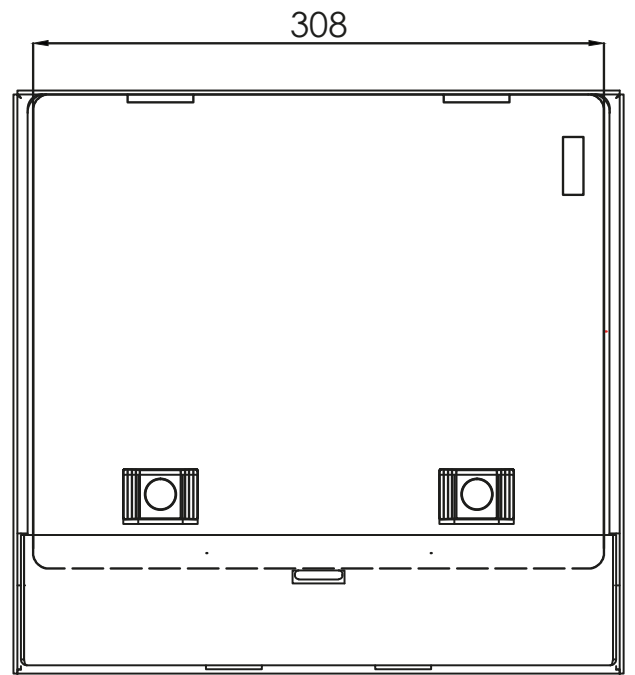
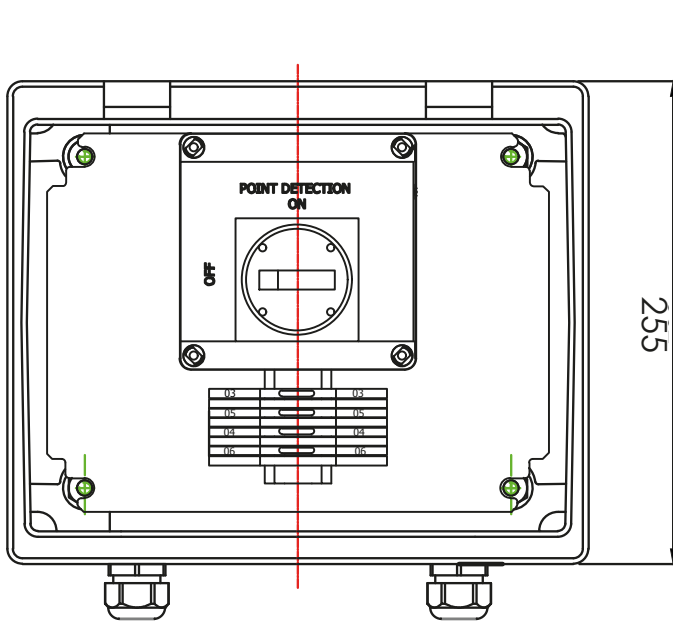


FREE WIRED GRP DIS BOXES

Part No:	ILS100007-017HW	Dimensions (mm):	308(H) x 255(W) x 160(D)
Enclosure PADS No:	086/010802	Weight:	APPROX 3.5KG
Description:	4 Way Disconnection Box	IP/IK Rating:	IP66 / IK10
Application/s:	Return Isolation Detection	Material:	GRP



Compression Glands Available



221 Padlockable

FULL RANGE OF MOUNTING OPTIONS AVAILABLE - SEE PAGES 144-153