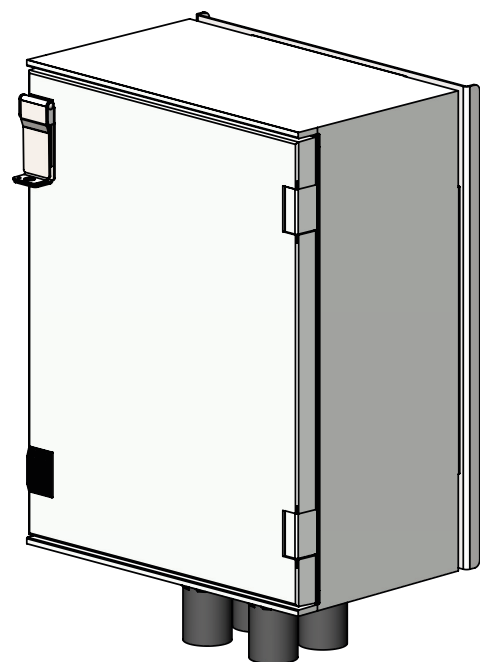
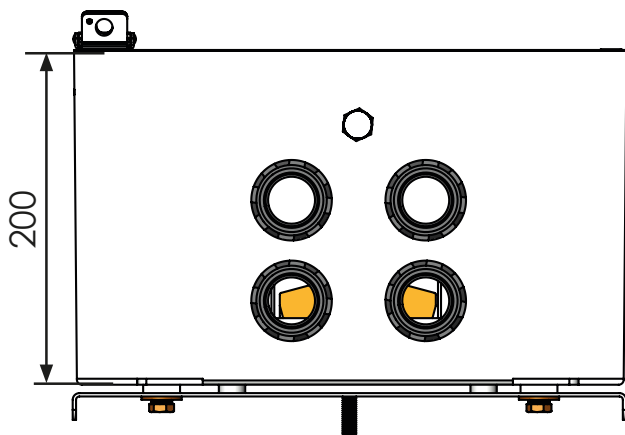
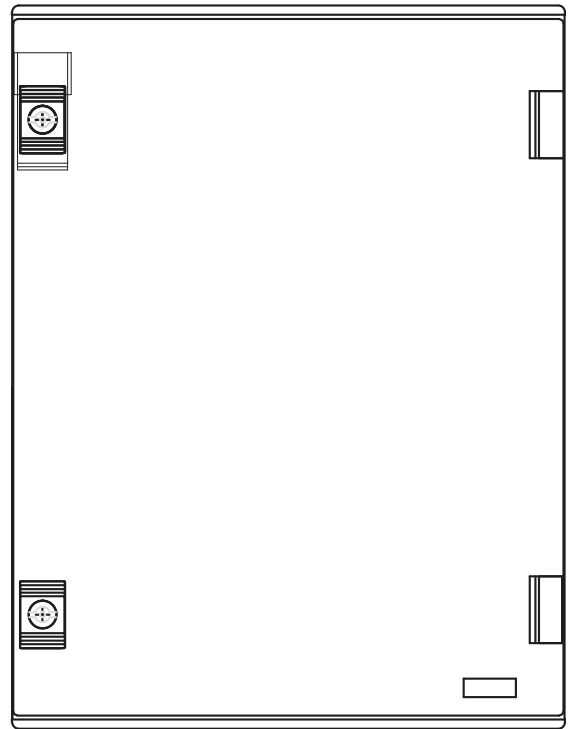
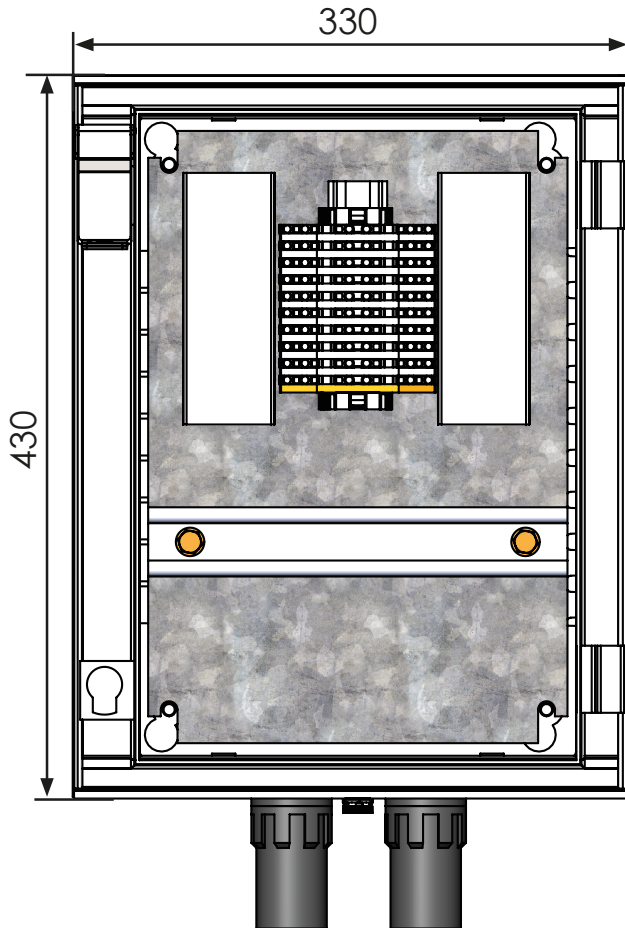


FREE WIRED GRP DIS BOXES

Part No:	ILE/BRISTOL-SA	Dimensions (mm):	430(H) x 330(W) x 200(D)
PADS Number:	086/010797	Weight:	APPROX 7KG
Description:	10 Way Disconnection Box	IP/IK Rating:	IP66 / IK10
Application/s:	Signalling - WAGO Terminals	Material:	GRP



**Compression
Glands Available**



221 Padlockable